



FAMED

Żywiec

Member of REINSBERG GROUP



ACCESSORIES - HEAD POSITIONING

ADJUSTMENTS THAT SUPPORT THE SURGEON'S WORK

- modular construction with quick connectors, with the possibility to change the tabletop orientation (surgeon can choose on which side does he prefer to have the longer translucency window and on which side of the table he needs a better access to the patient),
- big range of motion for the back section (motor-driven in most of the models),
- gentle, precise longitudinal shift - motor-driven,
- in simpler models the longitudinal shift is manual while still offering stepless, smooth motion, helping to precisely position the patient,
- lateral tilts with a wide range of adjustment available in every model, even in the simplest ones without motors - they allow to have better access to the operative field.



TABLE CONSTRUCTION DESIGNED WITH HEAD AND NEUROSURGERY IN MIND

- new, stable wedge-based connection eliminates the risk of accessories disconnection, even after many years of use, while also offering outstanding stability,
- wide range of height adjustment with the minimum setting up to 585 mm allows the surgeon to operate in sitting position,
- **complete x-ray permeability of the tabletop**, great translucency parameter, construction reducing the distortion on the images,
- tabletops with translucency as good as 0,25 mm Al,
- crossbars in tabletop made from carbon fiber (option in SU-03 and SU-02, standard in every other table),
- very stable base - big wheels for easy transport or 4-point support system (each one 50 mm in diameter),
- extra space for feet, reaching up to 180 mm - allows very close approach to the patient,
- low base profile ("T" version - only 125 mm) leaves plenty of space below the tabletop to easily operate the C arm.





WS-21.5
HORSESHOE HEADREST

Supports the patient's head in a **prone** and **supine** position, has **three pivot points** that allow you to fully adjust the position for different procedures. A PUR mattress ensures optimal hardness. The headrest is compatible with gel pads. It has an standard accessory rail for mounting additional accessories, including traction set.

Detailed information

3 pivot points
PUR mattress
Two round mounting points
Requires headrest adapter (choose depending on the width of the table top)
Compatibility: SZ-01, SU-02, SU-03, SU-05, OPTIMA, FLARE, HYPERION



WS-21.11
HORSESHOE HEADREST

Supports the head in a **prone** and **supine** position. It has **two pivot points**, the head support is made of PUR and is compatible with gel pads. The adjustment is done by means of a quick-release lever, the movement of which blocks all connections simultaneously.

Detailed information

2 pivot points
PUR mattress
One square mounting point
Requires headrest adapter (choose depending on the width of the table top)
Compatibility: SZ-01, SU-14, SU-02, SU-03, SU-05, OPTIMA, FLARE, HYPERION



WS-21.4
ALUMINIUM HEADREST

The horseshoe headrest made of **aluminum** does not have a mattress, allows you to position the patient in a **prone** and **supine** position. It has **three pivot points**, of which two are adjustable simultaneously with a quick-release lever and the third with a knob. The headrest is compatible with gel pads. The asymmetrical shoulder allows better access to the patient's neck and head and the use of the C-arm.

Detailed information

3 pivot points
No mattress, headrest made of aluminium
Two round mounting points, unsymmetrical
Requires headrest adapter (choose depending on the width of the table top)
Compatibility: SZ-01, SU-02, SU-03, SU-05, OPTIMA, FLARE, HYPERION



WS-21.9
ADJUSTABLE HEADREST

Supports the head in **prone**, **supine** and **lateral** position, has two PUR mattresses, adjustable in width. It offers **three pivot points** that allow you to adjust height, angle and longitudinal tilt. After removing the mattresses, it can be used as an additional holder for accessories. The headrest offers a large amount of space for the anesthetic mask, intubation cables and other anesthetic equipment

Detailed information

3 pivot points
Two adjustable PUR mattresses
Two round mounting points
Requires headrest adapter (choose depending on the width of the table top)
Compatibility: SZ-01, SU-02, SU-03, SU-05, OPTIMA, FLARE, HYPERION



WS-45.6
SPECIAL HEADREST

Supports the head in **prone, supine and lateral** position, has two pivot points, which are operated by a quick-release lever, whose movement blocks all connections simultaneously. Dimensions 190 x 235 mm - **free access to the patient from both sides**, can be used as an **ENT headrest**. It offers the possibility of moving it away from the table top or raising above it. The mattress can be removed for disinfection.

Detailed information

2 pivot points

PUR mattress (190 x 235 mm)

One square mounting point

Requires headrest adapter (choose depending on the width of the table top)

Compatibility: SZ-01, SU-14, SU-02, SU-03, SU-05, OPTIMA, FLARE, HYPERION



WS-45.5
SPECIAL HEADREST

Supports the head in **prone, supine and lateral** position, has **three pivot points**, which allows you to fully adjust the position for a specific procedure. Dimensions 190 x 235 mm - free access to the patient from both sides, can be used as an **ENT headrest**. It offers the possibility of moving it away from the table top, raising it above the table or using it as a support (**adjustable to an angle of 90°**). The mattress can be removed for disinfection.

Detailed information

2 pivot points

PUR mattress (190 x 235 mm)

Two round mounting points

Requires headrest adapter (choose depending on the width of the table top)

Compatibility: SZ-01, SU-02, SU-03, SU-05, OPTIMA, FLARE, HYPERION



WS-21.8
HEADREST FOR CERVICAL SPINE SURGERY

Supports the patient's head in a **prone and supine** position. The headrest has **two mattresses with independent height and distance adjustment**. The frame is equipped with an adapter for the traction handle or other accessories. The construction is very stiff and stable thanks to the solid frame and height-adjustable support with articulated tip.

Detailed information

Height regulation, distance from table adjustment

Two round mounting points

Requires headrest adapter (choose depending on the width of the table top)

Compatibility: SZ-01, SU-02, SU-03, SU-05, OPTIMA, FLARE, HYPERION



WS-88.5
HANDLE / TRACTION PULLEY

The handle mounted to the headrest allows the attachment of a traction cable, which is used to stretch the cervical spine during surgery. The lift is made of durable steel, which ensures high stiffness even during high loads. It has adjustable arm angle.

Note: a compatible headrest is required for installation.

Detailed information

Mounted on a standard rail

Requires a compatible headrest: WS-21.8, WS-45.6, WS-21.5, WS-21.11

Compatibility: SZ-01, SU-14, SU-02, SU-03, SU-05, OPTIMA, FLARE, HYPERION



WS-22.5
HANDS SUPPORT

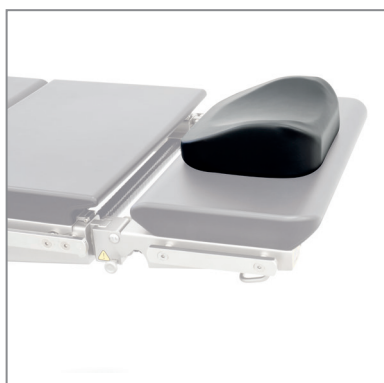
Serves as a support for the surgeon's hands during surgery - both in standing and sitting position. A comfortable mattress and adjustable height and inclination of the support ensure great comfort even during procedures that take many hours to perform. Thanks to the ball joints, the support can be placed centrally over the patient's head or directed more to the left or right.

Detailed information

Universal mounting (width) size, mounted on standard accessory rails

PUR mattress

Compatibility: SZ-01, SU-14, SU-02, SU-03, SU-05, OPTIMA, FLARE, HYPERION



WS-69.0
HEADREST / HEAD PILLOW

The headrest for the **supine** position is used to support the patient's head during surgery. It also allows **additional lift or angle** of the patient's head to reveal the treatment area. 80 mm thick, dimensions 240 x 220 mm.

The headrest is translucent for X-rays.

Detailed information

X-ray translucent

Dimensions 240 x 220 mm

PUR mattress, 80 mm

Compatibility: SZ-01, SU-14, SU-02, SU-03, SU-05, OPTIMA, FLARE, HYPERION



WS-68.0
HALF ROLL

In the **supine** position, the polyurethane half roll allows additional elevation of the cervical spine and exposing the treatment field. It also stabilizes the patient's body during surgery. 80 mm thick, 160 x 420 mm. It can be used as a **positioner for other parts of the body**, e.g. the knee joint.

The half roll is translucent for X-rays.

Detailed information

X-ray translucent

Dimensions 160 x 420 mm

PUR mattress, 80 mm

Compatibility: SZ-01, SU-02, SU-03, SU-05, OPTIMA, FLARE, HYPERION



DUAL-JOINT HEADREST

Headrest with an additional second pivot point that allows you to elevate the spine or replace positioners under the patient's head (especially in the lateral position). It has a mattress that can be removed for disinfection and a double lever for setting a desired position.

Detailed information

Model number depending on the selected table

Compatible with tables with the same width

Compatibility: SU-02, SU-03, SU-05, OPTIMA, HYPERION

Horseshoe Headrest | Non-invasive attachment of the patient's head

Horseshoe headrest, non-invasive positioning of the patient's head

Horseshoe Headrest is a high quality headrest for non-invasive positioning of the patient's head. Horizontal and vertical adjustment allows you to choose the right position on the operating table. The offer includes horseshoe headrests intended for both adults and pediatric patients, as well as those that allow performing procedures requiring intraoperative imaging (X-ray translucent).

MANY CONFIGURATION OPTIONS

The universal construction allows the system to be combined with the base and adapter of *acute* (invasive) skull stabilization systems QR3 Headrest System Aluminum and LUCENT® Headrest System. Systems available in various configurations provide optimal conditions for performing neurosurgical procedures. Replaceable gel pads for pediatric and adult patients can be mounted alternately to the same headrest base - translucent or aluminum. Optionally, the system can be equipped with an extension frame for traction use.

COMFORT OF WORK

The light and simple construction made of aluminum or transparent polymer ensures easy and trouble-free installation of the headrest to Famed Żywiec operating tables. Dismantling the gel pads saves medical staff's time needed for disinfection. The swivel adapter gives the doctor the opportunity to adjust the position of the headrest to his needs, ensuring maximum comfort during the procedure.

SAFETY

Gel pads, self-adjusting to the shape of the patient's head, provide comfort during multiple hours of surgery and protect tissues in the point of pressure. The system made of high quality materials works perfectly with Famed Żywiec operating tables, which have stable support points, guaranteeing stability and safety during precise neurosurgical procedures.



QR3 Headrest System | Aluminium

Stable and durable skull stabilization system with autoclave disinfection possibility

QR3 Headrest System is a comprehensive system created for skull surgery requiring high quality tools ensuring precision and safety. Single or reusable pins for pediatric or adult patients keep the skull in the required position. The high-quality aluminum construction makes the QR3 the most popular skull stabilization system on the market.

SAFETY

Stable construction made of high quality aluminum guarantees maximum safety during operations performed on Famed Żywiec operating tables. Stainless steel pins ensure precise, secure and rigid fixing of the skull. The QR3 Headrest System allows a stable positioning of the patient in a prone, supine, side and sitting position.

MIX & MATCH

Mix & Match technology makes it possible to combine non-translucent elements of the attachment with Radiolucent line products. Mounting the translucent skull clamp and translucent adapter gives you full control over the effects of head and cervical spine surgery by allowing intraoperative imaging.

WYGODA PRACY

Two swivel adapters make it easy to set the skull in a position convenient for the doctor. The Famed Żywiec neurosurgical adapter ensures trouble-free assembly of the attachment to the operating table (it is also possible to use the DORO® adapter). The simple and lightweight design facilitates disinfection and Quick-Rail® technology allows easy attachment of accessories. Famed Żywiec operating tables give the possibility of lowering the table top to a level ensuring comfort for the doctor during long hours of operations.



LUCENT® Headrest System | X-ray translucent

Translucent skull stabilization system for intraoperative imaging

LUCENT® Headrest System is a fully translucent attachment used to stabilize the skull, including cervical spine surgery. The steel-free clamp allows angiography, fluoroscopy, CT, skull or cervical spine surgery using the C-arm.

NEW TREATMENT OPPORTUNITIES

The unique, translucent LUCENT® construction is ideal for procedures requiring intraoperative imaging using X-ray, angiography or tomography. Translucent interfaces connecting the skull clamp to the base allow imaging of both the cervical spine and the patient's skull. Titanium-polymer pins allow to minimize the number of artifacts, improving the quality of images taken during surgery regardless of the place being treated. The long boom allows moving the patient away from the edge of the operating table, providing more space for the imaging equipment.

COMFORT OF WORK

LUCENT® provides comfortable work conditions and allows the maximum use of knowledge and skills of doctors during many hours of neurosurgical operations in a modern operating theater.

The rotating adapter allows you to set the position of the skull clamp in the desired place in the range of 360°. The Quick-Rail® translucent base allows for quick and stable mounting of the system to the operating table. In Famed Żywiec tables it is possible to mount LUCENT® also on a table top made entirely of carbon fiber (or a suitable carbon adapter), which increases the treatment area even up to 1900 mm (this range is also extended by the range of the attachment itself, which depends on the chosen configuration).

SAFETY

The system made of high quality materials guarantees stable and safe operation. Stable table bases from Famed Żywiec tables guarantee full compatibility with DORO® accessories even during extreme positions of the table top. Disposable titanium-polymer pins significantly reduce the amount of artifacts during imaging, which allows you to reduce the time of the procedure and reduce the X-ray dose.



TEFLON® Headrest System | Teflon

Skull stabilization system compatible with the autoclave disinfection

QR3 Headrest System Teflon® is a Teflon-coated system for neurosurgical operations created for the comfort of doctors and patient safety. Teflon layer allows placing the set in an autoclave chamber. It is a complete head support system that is compatible with WHO Infection Control Guidelines. Quick-Rail® technology allows easy attachment of accessories.

EASY NAVIGATION

Ease of use QR3 Teflon Headrest System system allows maximum gain of the system capabilities during many hours of neurosurgical operations. The rotating adapter allows you to set the position of the skull clamp in the desired place in the range of 360°. Height adjustment during the procedure is provided by a single lever mounted in the base.

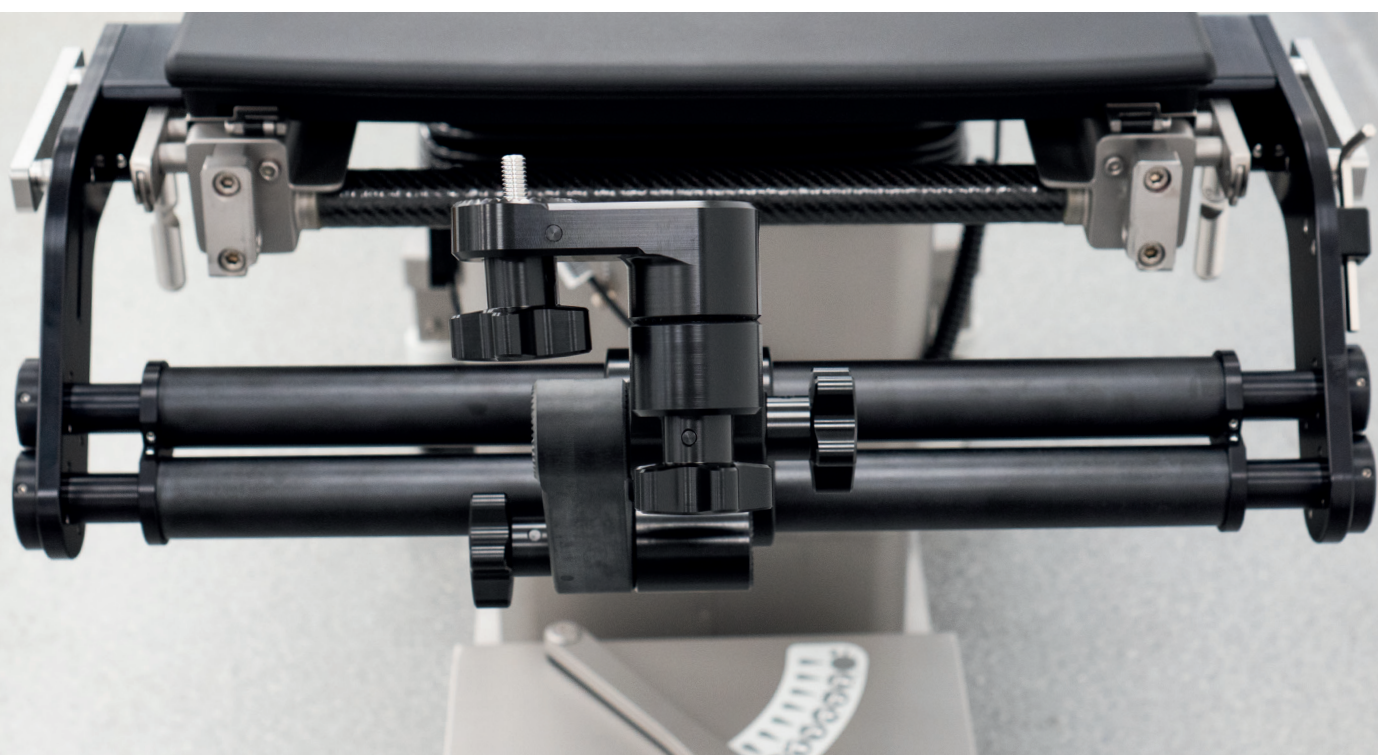
MIX & MATCH

Mix & Match technology makes it possible to combine non-translucent elements of the attachment with Radiolucent line products. Mounting the translucent skull clamp and translucent adapter gives you full control over the effects of head and cervical spine surgery by allowing intraoperative imaging.



SAFETY AND HYGIENE

The Teflon layer enables autoclaving sterilization and ensures maximum safety during surgery on patients with high risk of infection. Choosing DORO® TEFLON® in a set with Famed Żywiec operating table guarantees a high level of protection against infections in the operating room. The combination of this equipment with the **InteliProtectPlus™** technology that we use in our tables guarantees the best level of safety on the market and prevents the spread of infection.





Base Unit Parkbench

A set of additional accessories for the QR3 Headrest System (1001.100) that facilitate positioning of the patient in the lateral position. It allows the patient to rest his arm and fix it below the table top, offering greater stability during surgery.

- Safe and comfortable positioning,
- Construction ensuring maximum stability,
- Changing the setting with one lever,
- Adjustable along the entire width of the base.



Crossbar Adaptor

The transverse adapter (3007-00) is used to position the patient's head in the DORO® adapter in a sitting position. Connects the base of the attachment to the operating table, allowing better access to the patient's head or spine. For convenience of use, we recommend buying together with a table with backrest adjustable by remote control.

The adapter is mounted on the table's accessory rails on the sides of the countertop. For assembly, two multi-position clamps WS-17.9 should be purchased.



Cervical Spine Support

The support (3012-00) for cervical spine surgery, stabilizes the patient and allows the cervical vertebrae to be elevated, it is mounted on the 3011-00 adapter with integrated clamps.



Skull fixing pins

The wide range of skull clamps require different support pins. Reusable pins are available:

- stainless steel (for adults 3005-00, pediatric 3004-00)
- titanium for imaging (for adults 3005-50, pediatric 3004-50).

Disposable pins (sets, e.g. 36 pieces) are available in versions:

- stainless steel (for adults 3006-00 or 3006-50, pediatric 3006-10),
- titanium (for adults 3006-20, pediatric 3006-30).

Mix & Match technology allows you to combine translucent DORO® attachments with standard systems and accessories. This allows you to ensure full X-ray translucency wherever it is necessary, while using cheaper aluminum solutions in places that you do not plan to use imaging. Below are suggested configurations that allow imaging in most popular areas.

In some sets there is a predefined table adapter, in others such an adapter can be chosen freely - Famed Żywiec model or DORO® model.

Skull pins should be selected for each set (reusable, disposable, made of steel or titanium (translucent for X-rays), for adults or children).



CONFIGURATION A CERVICAL SPINE IMAGING

The perfect combination of possibilities of imaging the cervical spine with affordable price.

Part of the set	Index
QR3 Skull Clamp	1001.001
LUCENT® Base Unit	1101.021
LUCENT® Locking Transitional Member	1101.031
LUCENT® Transitional Member	1101.026
Swivel Adaptor Radiolucent	3033-00
Interface Skull Clamp Aluminium	3033-51



CONFIGURATION B SKULL AND CERVICAL SPINE IMAGING

A set ensuring compatibility of skull and cervical spine procedures with the use of CT, Angiography and Fluoroscopy techniques.

Part of the set	Index
Base Unit Aluminium	3001-00
Transitional Member Radiolucent	3032-00
Swivel Adaptor Radiolucent	3033-00
Skull Clamp Radiolucent	3034-00
Table mounting adapter (Famed Żywiec)	WS-84.7/WS-84.8
Table mounting adapter (DORO®)	3011-00



CONFIGURATION C SKULL IMAGING

A set ensuring compatibility of skull procedures with the use of C-arm imaging techniques, Angiography or Fluoroscopy.

Część zestawu	Indeks
Base Unit Aluminium	3001-00
Swivel Adaptor Aluminium	3002-00
Interface Skull Clamp Radiolucent	3033-50
Skull Clamp Radiolucent	3034-00
Table mounting adapter (Famed Żywiec)	WS-84.7/WS-84.8
Table mounting adapter (DORO®)	3011-00

Famed Żywiec Sp. z o.o.
Fabryczna 1
34-300 Żywiec, Poland

Office:

tel.: +48 33 866 63 75
fax: +48 33 475 58 90

export@famed.com.pl
www.famed.com.pl



The product meet the requirements of the European Directive MDD 93/42/EEC concerning medical devices and the Act on medical devices. **Edition 150/2024/03/2.** Subject to change due to technical progress. Pictures may differ from the actual appearance of the accessories. When choosing them, we suggest contacting our specialists and we advise not to judge their functionalities based only on photos. Famed Żywiec Sp. z o.o. also makes accessories for special customer orders, whose appearance, work and capabilities may differ from those listed in the catalog. All accessories for operating tables manufactured by our company undergo full safety tests and quality controls.

Compatibility of accessories with previous models of Famed Żywiec tables and with tables from other manufacturers is given on request.