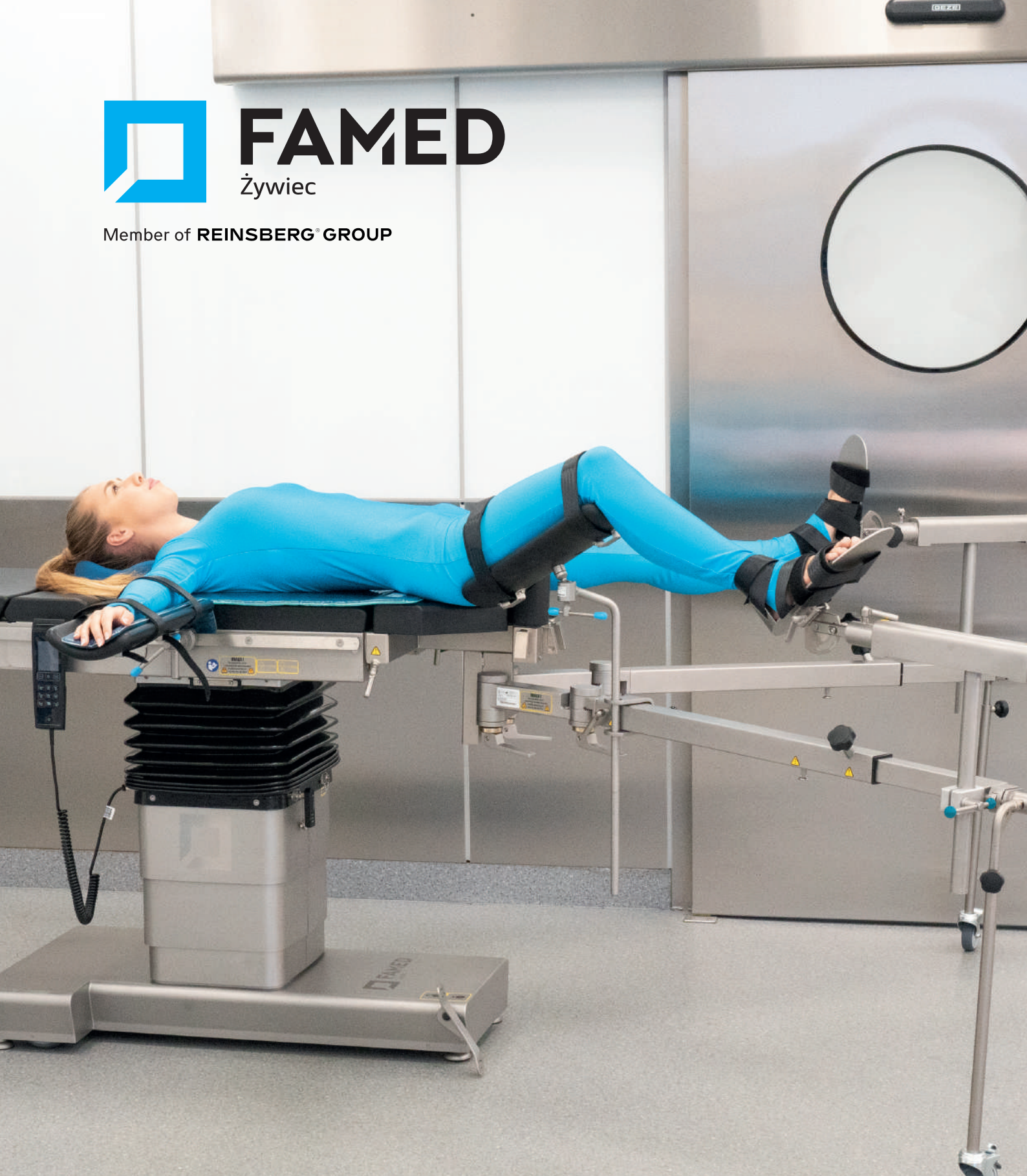




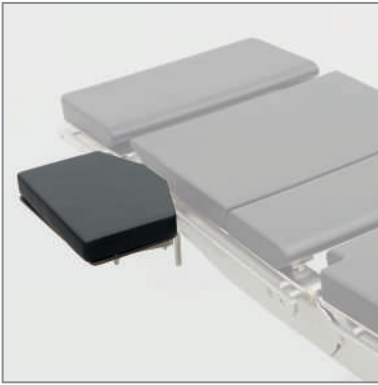
# FAMED

Żywiec

Member of REINSBERG GROUP



ACCESSORIES - **ORTHOPEDICS,**  
**TRAUMATOLOGY**



### WS-87.5 UPPER LIMBS SURGERY POSITIONER

It serves as an additional support during interventions in the shoulder or arm area. It enables the patient to be moved to the side of the table top, increasing the surgeon's access to the patient's body.

It can be used in arthroscopy of the shoulder joint in the supine position.

#### Detailed information

X-ray translucent table top

Polyurethane mattress with antistatic artificial leather, 40 mm thick

Mounted on accessory rails

Dimensions: 290 mm x 200 mm x 40 mm

**Compatibility:** SU-02, SU-03, OPTIMA (SU-05.9)



### WS-48.5 ARM AND HAND SURGICAL TABLE

The table top allows procedures on the upper limb to be performed by two people at the same time. The supports under the table top ensure high stability and easy access for the C-arm. The angle between the accessory and the table can be adjusted horizontally (locks with a lever).

Supports equipped with wheels (can be locked), foldable under the table top.

#### Detailed information

Table top partially translucent for X-rays

Foam mattress, sewn and glued, 40 mm

Mounted on accessory rails

Dimensions: 400 mm x 800 mm

**Compatibility:** SZ-01, SU-14, SU-02, SU-03, OPTIMA (SU-05.9)



### WS-48.6 ARM AND HAND SURGICAL TABLE

The table top allows procedures on the upper limb to be performed by two people at the same time. The supports under the table top ensure high stability and easy access for the C-arm. The angle between the accessory and the table can be adjusted horizontally (locks with a lever).

Supports equipped with wheels (can be locked), foldable under the table top.

#### Detailed information

X-ray translucent table top

Foam mattress, sewn and glued, 80 mm

Mounted on accessory rails

Dimensions: 400 mm x 800 mm

**Compatibility:** HYPERION



### WS-48.7 ARM AND HAND SURGICAL TABLE

The table top allows procedures on the upper limb to be performed by two people at the same time. The supports under the table top ensure high stability and easy access for the C-arm. The angle between the accessory and the table can be adjusted horizontally (locks with a lever).

Supports equipped with wheels (can be locked), foldable under the table top.

#### Detailed information

X-ray translucent table top

Foam mattress, sewn and glued, 80 mm

Mounted on accessory rails

Dimensions: 400 mm x 800 mm

**Compatibility:** OPTIMA (SU-05.15)



### WS-47.5 ACCESSORY FOR HUMERUS SURGERY (WEINBERGER HAND CUFF)

Attachment with Weinberger hand cuff. Adjustable height, tension and angle of the immobilized hand. Used in the fixation of fractures of the humerus. The attachment can be placed longitudinally or transversely to the top. It consists of an traction unit and an counter-traction pole and the necessary adapters for accessory rails.

#### Detailed information

Height adjustment  
Hand cuff angle adjustment  
Precise traction force adjustment  
Polyurethane roller

**Compatibility:** SZ-01, SU-14, SU-02, SU-03, OPTIMA (SU-05), OPTIMA (SU-05.15), FLARE, HYPERION



### WS-91.7 SHOULDER SURGERY TABLE TOP

It allows an easy access to the shoulder joint in the posterior and lateral approach, thanks to the removable segments it allows the surgeon to operate on either joint. The headrest adapter allows you to mount the head support for the side support and the hand grip on the operated side and the hand support on the non-operated side. High stability allows the attachment to be used as a permanent, fully functional element of the table top.

#### Detailed information

Mounted on wedges  
Gas spring angle adjustment  
Mattress made of polyurethane  
Headrest included

**Compatibility:** SU-02, SU-03, OPTIMA (SU-05)



### WS-91.4 SHOULDER SURGERY TABLE TOP

It allows an easy access to the shoulder joint in the posterior and lateral approach, thanks to the removable segments it allows the surgeon to operate on either joint. The headrest adapter allows you to mount the head support. Equipped with accessory rail for the side support and the hand grip on the operated side and the hand support on the non-operated side.

#### Detailed information

Mounted on wedges  
Angle adjustment from the remote  
Foam mattresses, sewn and glued, 80 mm  
Headrest included

**Compatibility:** OPTIMA (SU-05.15)



### AS-18 SHOULDER SURGERY TABLE TOP

It allows an easy access to the shoulder joint in the posterior and lateral approach, thanks to the removable segments it allows the surgeon to operate on either joint. The headrest adapter allows you to mount the head support. Equipped with accessory rail for the side support and the hand grip on the operated side and the hand support on the non-operated side.

#### Detailed information

Mounted on wedges  
Angle adjustment from the remote  
Foam mattresses, sewn and glued, 80 mm  
Headrest included

**Compatibility:** HYPERION



**WS-39.5**  
**ATTACHMENT FOR POSITIONING THE KNEE JOINT**

It serves to stabilize the thigh and the knee joint, including positioning during arthroscopy. Adjustable in height and angle. Additionally, it is possible to adjust the width - space between the side supports).

**Detailed information**

- Mounted on accessory rails
- Angle and height adjustment on the rail
- Width adjustment (stepless)
- Elements touching the patient's body made from polyurethane
- Clamp included: WS-17.7
- Compatibility:** SZ-01, SU-14, SU-02, SU-03, OPTIMA (SU-05.9), OPTIMA (SU-05.15), FLARE, HYPERION



**AS-14**  
**ATTACHMENT FOR POSITIONING THE KNEE JOINT**

It has wider range of width regulation than WS-39.5. It serves to stabilize the thigh and the knee joint, including positioning during arthroscopy. Adjustable in height and angle. Additionally, it is possible to adjust the width - space between the side supports).

**Detailed information**

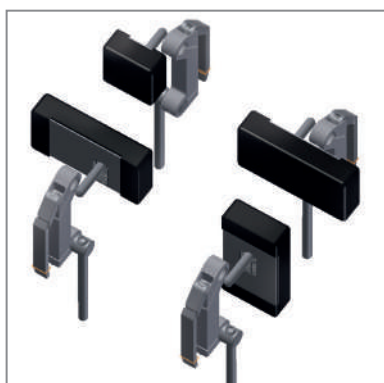
- Mounted on accessory rails
- Angle and height adjustment on the rail
- Width adjustment (stepless)
- Elements touching the patient's body made from polyurethane
- Clamp included: WS-17.7
- Compatibility:** SZ-01, SU-14, SU-02, SU-03, OPTIMA (SU-05.9), OPTIMA (SU-05.15), FLARE, HYPERION



**WS-40.5**

**Detailed information**

- Mounted on accessory rails
- Angle and height adjustment on the rail
- Polyurethane roller, 300 mm
- Clamp included: WS-17.7
- Compatibility:** SZ-01, SU-14, SU-02, SU-03, OPTIMA (SU-05.9), OPTIMA (SU-05.15), FLARE, HYPERION



**AS-47.5**  
**A SET OF SUPPORTS FOR SIDE POSITIONING**

A set of 4 side supports that allow the patient to be fully stabilized during the hip replacement surgery or arthroscopy. Equipped with soft mattresses and buckles that lock them in a fixed position.

**Detailed information**

- Mounted on accessory rails
- A set of 4 pcs
- 4 clamps WS-16.8 included
- Foam mattresses, sewn and glued
- Compatibility:** SU-02, SU-03, OPTIMA (SU-05.9), OPTIMA (SU-05.15), FLARE, HYPERION



### SO-12 ORTHOPEDIC ATTACHMENT WITH EXTENSION DEVICE

It is used to treat fractures of the lower limbs, for arthroscopy of joints and hip surgery. It is mounted in place of the footrests, equipped with a table top with a single support and two mounting points for the counter-traction roll, which moves the hip towards the surgeon, allowing the imaging area to reach beyond the spina iliaca anterior superior.

It is possible to mount additional support feet on the end of the extension rod. Two pivot points under the table top allow for easy access to the leg and gives the surgeon big collision-free area for the C-arm. It is also possible to hide the unused parts under the table.

#### Regulations:

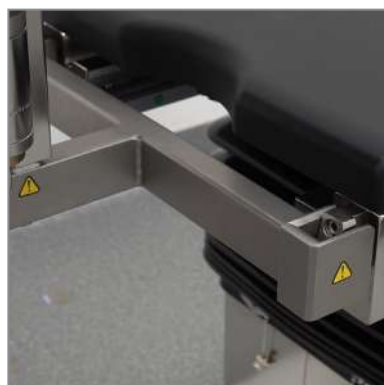
- height adjustment of the tensioning apparatus 320 mm,
- distance between the counter-traction roll and the tensioning device: 475 - 1250 mm,
- extension of the tensioning apparatus 250 mm,
- swivel arm swing range: 180 °

#### Compatibility - versions

- SO-12.1 - SU-02, SU-03, OPTIMA (SU-05)
- SO-12.4 - OPTIMA SU.15.5
- SO-12.2 - HYPERION

#### Detailed information

Mounted on wedges
Foam or polyurethane mattress
Made from stainless steel



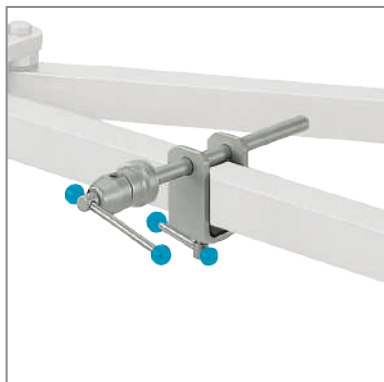
### WS-80.8, WS-80.11, WS-80.9 TROLLEY FOR STORAGE, TRANSPORT AND ASSEMBLY OF SO-12

The trolley is equipped with a place to put away the entire SO-12 attachment, a basket for storing accessories and dedicated guidance elements that facilitate the correct positioning of the trolley in relation to the table.

After correct aiming, the SO-12 is fitted onto the table automatically - using the remote control and height adjustment (except for SU-02).

NOTE: when ordering, specify the type of SO-12 / SO-14 attachment you have and the type of table! **Compatibility:**

- WS-80.8: SO-12.1, SO-14
- WS-80.11: SO-12.4, SO-14.4
- WS-80.9: SO-12.2



**WS-82.5**  
**ACCESSORIES ADAPTER**

Adapter for mounting accessories on the SO-12 arm, e.g. leg supports or other accessories with a mounting base on a round rod with a diameter of 16 mm.

**Detailed information**

Mounted on the arm of SO-12

Made from stainless steel and plastic (arm fixing element)

Possibility to adjust the extension and angle

Note: Only applicable on SO-12. The WS-82.6 adapter is required for the SO-14



**WS-71.6**  
**LEG SUPPORT**

It is used to support the thigh in order to change the angle of the leg in the hip joint or to support the unoperated leg in the supine or lateral position. It can be adjusted in height, distance from the patient or angle.

**Detailed information**

Mounted in clamp on rails or in adapter for accessories on the SO-12 adapter's arm

Polyurethane mattress 160 x 380 mm

Sold in set with WS-82.5 adapter



**WS-75.5**  
**ANGLED LEG SUPPORT**

It is used to support knees when the patient is placed on the side. It can be adjusted in height, distance from the patient or angle. Thanks to its design, it supports the limbs below the arm of the SO-12 attachment.

**Detailed information**

Mounted in clamp on rails or in adapter for accessories on the SO-12 adapter's arm

Polyurethane mattress 190 x 295 mm

Sold in set with WS-82.5 adapter



**WS-72.5**  
**ROD/BELT SUPPORT**

It serves as a support under the knee joint. The metal rod helps with plastering after the femoral fixation, while the belt serves as a support for the knee. It can be adjusted in height, distance from the patient or angle.

**Detailed information**

Mounted in clamp on rails or in adapter for accessories on the SO-12 adapter's arm

Sold in set with WS-82.5 adapter



**WS-86.6**  
**ARM SUPPORTS**

A set of two supports mounted on the end of each of the SO-12 arms. Thanks to them, the stability of the SO-12 increases, especially with tall and heavy patients.

**Detailed information**

Height adjustment

Wheels with locks

Mounting on an accessory rail allows you to use it also in other accessories

Angle adjustment

**Compatibility:** SU-02, SU-03, OPTIMA (SU-05), OPTIMA (SU-05.15)



**WS-70.6**  
**PELVIS PLASTER SUPPORT**

Stable hip plastering support, mounted on the wedge. Distance from the table top can be adjusted in the range of 110 mm. Offers great stability. It is mounted in a socket, which is in the table top of the SO-12 adapter.

**Detailed information**

Fixed in a socket in the SO-12 table top

Extension of 110 mm

Counter-traction roll made of polyurethane



**BT**  
**LEATHER SHOES**

Mounted on the foot, laced, they prevent the foot and ankle from slipping out, ensuring the right traction force. Mounted with straps (additional straps are included with the SO-12 adapter).

Sizes: Adult, Child.

**Detailed information**

Made out of leather

Lace-up

Soft, easy-to-disinfect lining

Durable material



**WS-13.7**  
**EQUIPMENT STAND**

Stand with multiple mounting points, hangers, handles and storage compartments. It enables for example vertical storage of leg supports or footrests. It has a basket for belts or other accessories.

**Detailed information**

Four wheels, including locks

Made of stainless steel with 2 laminated plates



### WS-60.6 HIP SUPPORT

The set of supports for hip surgery in the lateral position. A vertical (fixed) and a horizontal (movable, can be rotated around the vertical axis) shaft.

The set includes a hip support to allow the patient to be moved towards the traction apparatus as much as possible.

#### Detailed information

Mounted on the So-12 table top

Height adjustable from 0 - 100 mm (knob)

Wałki z poliuretanu



### WS-85.6 ATTACHMENT FOR POSITIONING THE KNEE JOINT

It supports the knee and enables traction of the lower limb. The design allows for height and tilt adjustment. The positioner itself has stabilizing handles with adjustable spacing.

The limb supported in the positioner can be attached to the SO-12 traction apparatus.

#### Detailed information

Fixed in place of the plastering support of the SO-12 table top

Polyurethane roller

## SO-14 ORTHOPEDIC ATTACHMENT WITH CARBON FIBER ARMS

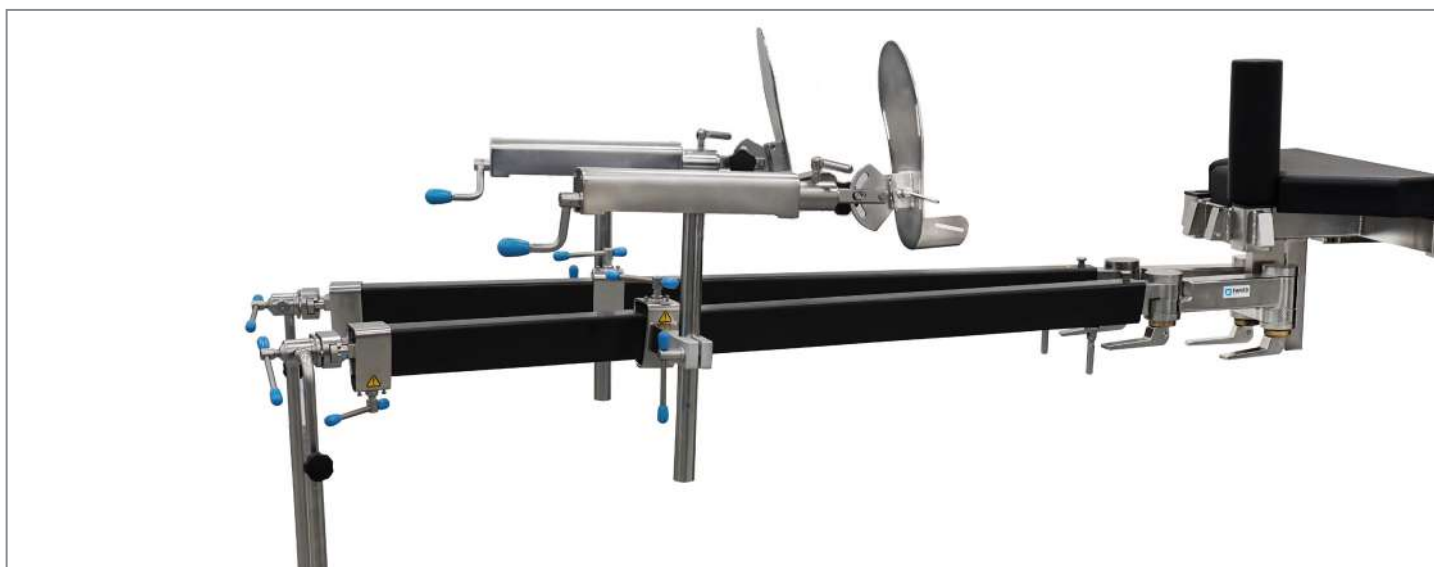
Equivalent to SO-12 with arms made of carbon fiber - they are transparent to X-ras, which makes it easier to maneuver the C-arm.

#### Detailed information

The shape of the arms is different from the SO-12, you have to choose a different type of adapter for accessories - WS-82.6

### Compatibility - versions

- SO-14 - SU-02, SU-03, OPTIMA (SU-05)
- SO-14.4 - OPTIMA SU.15.5







**AS-67**  
**360° TRANSLUCENT CARBON FIBER**  
**TABLE TOP**

X-ray translucent carbon fiber table top, equipped with accessory rails, with the possibility of 360° imaging. Equipped with grooves for InfiniMove™ adapters that allow accessories to be mounted along its entire length - including the adapter for X-ray translucent headrests. It enables imaging during hip surgery, spinal MIS operations and others.

**Detailed information**

Mounted on wedges
Length 1100 mm, width 540 mm
SWL of table with this top: 180 kg
Light construction, can be assembled by one person
Foam mattress, sewn and glued
<b>Compatibility:</b> SU-02, SU-03, OPTIMA (SU-05.9), OPTIMA (SU-05.15), HYPERION



**AS-65**  
**KNEELING FRAME WITH SUPPORTS**  
**FOR SPINAL SURGERY**

Attachment with thigh/buttock support system (back and side) prevents the patient from slipping during surgery and stabilizes the treatment field.

Adjustable angle and distance from the patient of the backrest and side supports. The rollers have a free rotation mechanism.

**Detailed information**

Mounted on accessory rails
Roller diameter (stomach) 80 mm or 210 mm (option, AS-16.5)
Four adapters for accessory rails included
Side and rear supports made of foam mattress
Polyurethane roller
<b>Compatibility:</b> SU-02, SU-03, OPTIMA (SU-05)



**WS-65**  
**MATTRESS FOR SPINAL SURGERY**

Mattress elevating the spine for minimally invasive spine surgery. Made of anti-bedsores foam, it has a cutout in the center for the patient's abdomen. The front has a contoured place for the patient's head.

**Detailed information**

X-ray translucent
Dimensions: 460 x 840 mm
100 mm thick
<b>Compatibility:</b> SZ-01, SU-02, SU-03, OPTIMA (SU-05.9), OPTIMA (SU-05.15), FLARE, HYPERION



**WS-93.5**  
**SUPPORTS FOR ELEVATING LUMBAR**  
**AREA**

It serves as an elevating mechanism for the lumbar part of the patient body in the prone position. Mounted on both sides of the table. It is adjustable in height and distance between the mattresses can be changed. It can be used, for example, in spine surgeries or proctological procedures.

**Detailed information**

Mounted on accessory rails
Single mattress dimensions: 100 x 190 x 85 mm
Polyurethane mattress with antistatic artificial leather
<b>Compatibility:</b> SZ-01, SU-02, SU-03, OPTIMA (SU-05.9), OPTIMA (SU-05.15), FLARE, HYPERION

**Famed Żywiec Sp. z o.o.**  
Fabryczna 1  
34-300 Żywiec, Poland

**Biuro:**

tel.: +48 33 866 62 00  
fax: +48 33 475 58 90

**Export:**

tel.: +48 33 866 63 75  
fax: +48 33 475 58 90

export@famed.com.pl  
www.famed.com.pl



The products meet the requirements of the European Directive MDD 93/42/EEC concerning medical devices and the Act on medical devices.

Edition 180/2024/03/2

Subject to change due to technical progress. Pictures may differ from the actual appearance of the accessories. When choosing them, we suggest contacting our specialists and we advise not to judge their functionalities based only on photos. Famed Żywiec Sp. z o.o. also makes accessories for special customer orders, whose appearance, work and capabilities may differ from those listed in the catalog. All accessories for operating tables manufactured by our company undergo full safety tests and quality controls.

Compatibility of accessories with previous models of Famed Żywiec tables and with tables from other manufacturers is given on request.